

**PART NUMBER:** ETS120500UTC-P5P-SZ**DESCRIPTION:** switching power supply**INPUT**

rated input voltage	100 V ~ 240 V ac
input voltage range	90 V ~ 264 V ac
rated frequency	50~60 Hz
frequency range	47~63 Hz
rated input current	1.5 A RMS max.
inrush current	50 A max. at 115 / 100 A max. at 230 V ac cool start
no load power consumption	0.5 W max. (CEC compliant)

**OUTPUT**

output voltage	12 V dc at 5 A
output min. current	0 A
line regulation	± 1%
load regulation	± 5%
over voltage protection	18 V max. (full load, output shutdown)
short circuit protection	output shut down and auto restart
ripple voltage	240 mV (p-p) (100~240 V ac at full load)
efficiency	meets Energy Star / CEC Level IV

**SAFETY & EMI**

HI-POT	input to output	1500 V ac at 10 mA for 1 minute
insulation resistance	input to output	> 100 M Ohm at 500 V dc
safety approvals	UL/cUL, CE, GS	
EMI standard	FCC part 15 class B, CE, meets VCCI class II	
RoHS compliant	yes	
leakage current	3.5 mA max.	

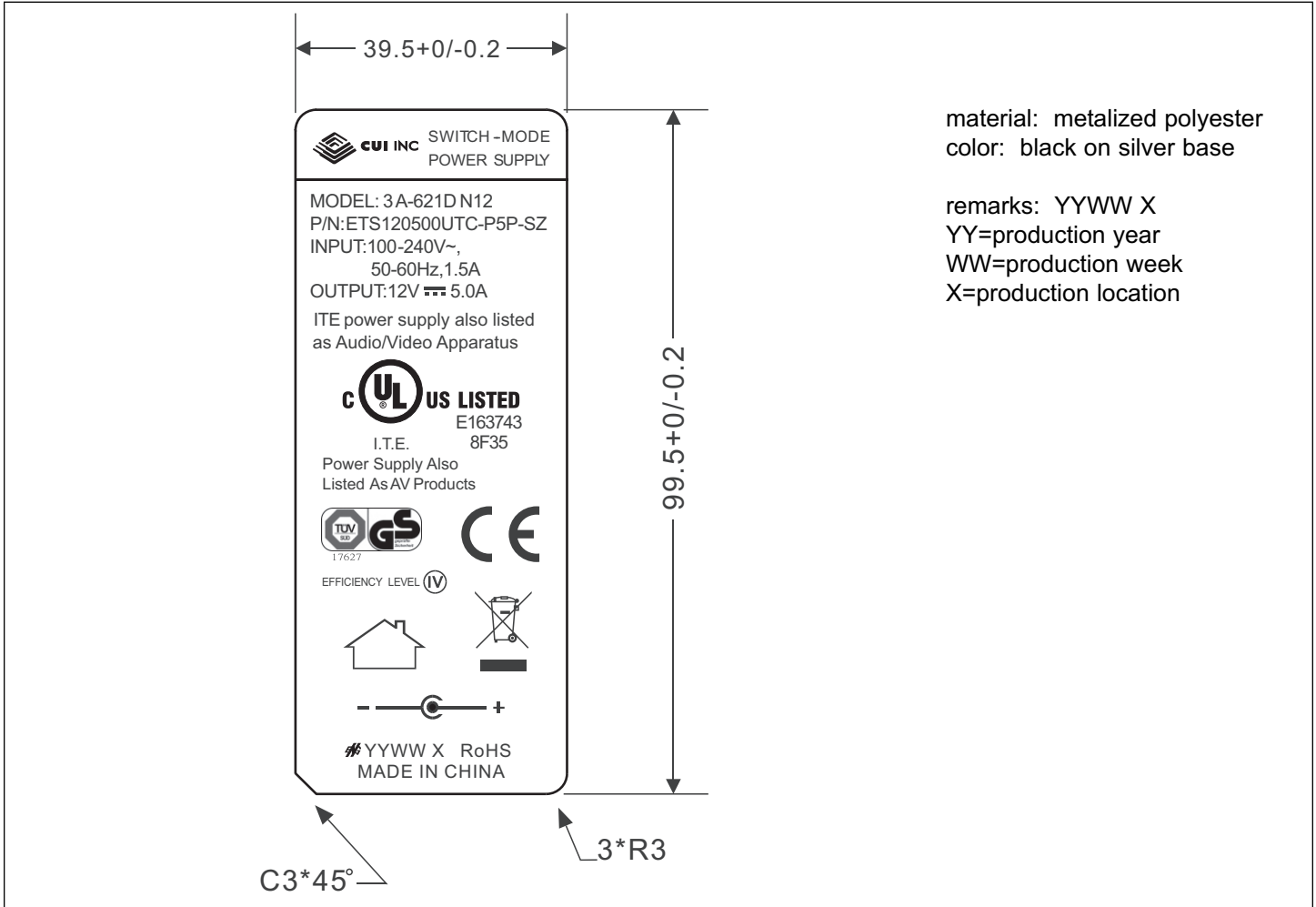
**ENVIRONMENTAL**

storage temperature	-10°C ~ +70° C
operating temperature	0°C ~ +40° C
storage humidity	10~90%
operating humidity	20~80%

**PART NUMBER:** ETS120500UTC-P5P-SZ

**DESCRIPTION:** switching power supply

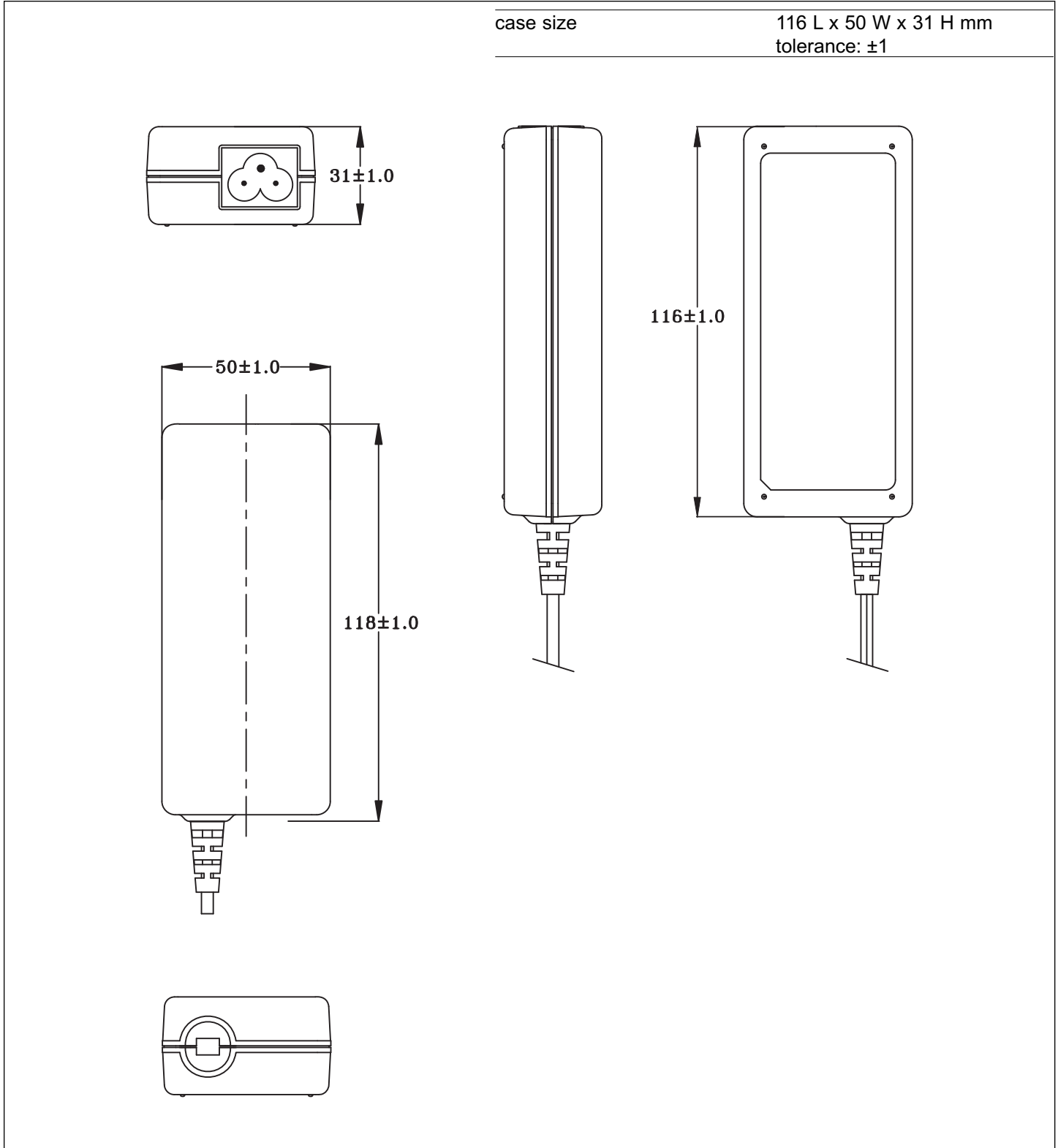
**LABEL**



**PART NUMBER:** ETS120500UTC-P5P-SZ

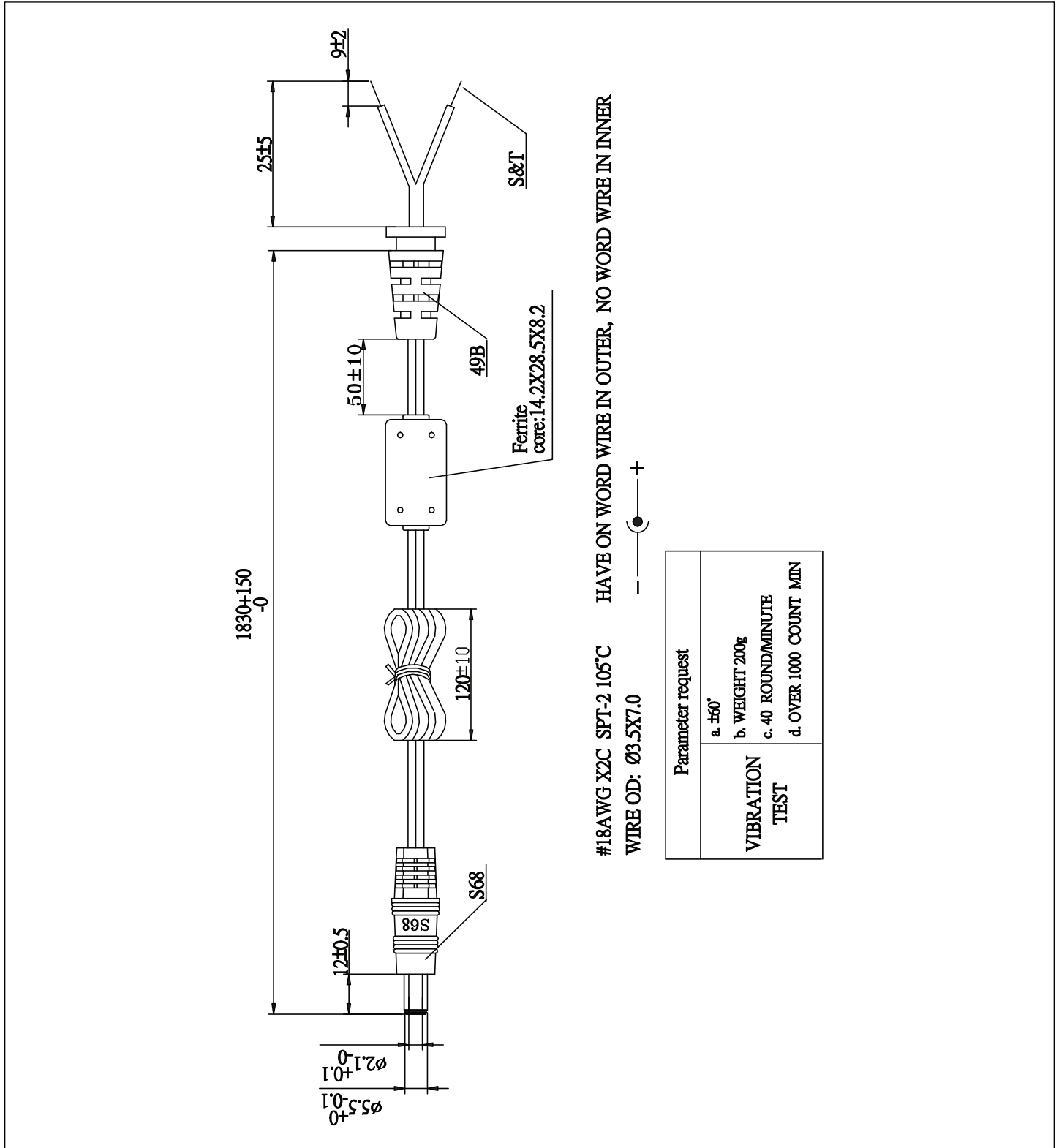
**DESCRIPTION:** switching power supply

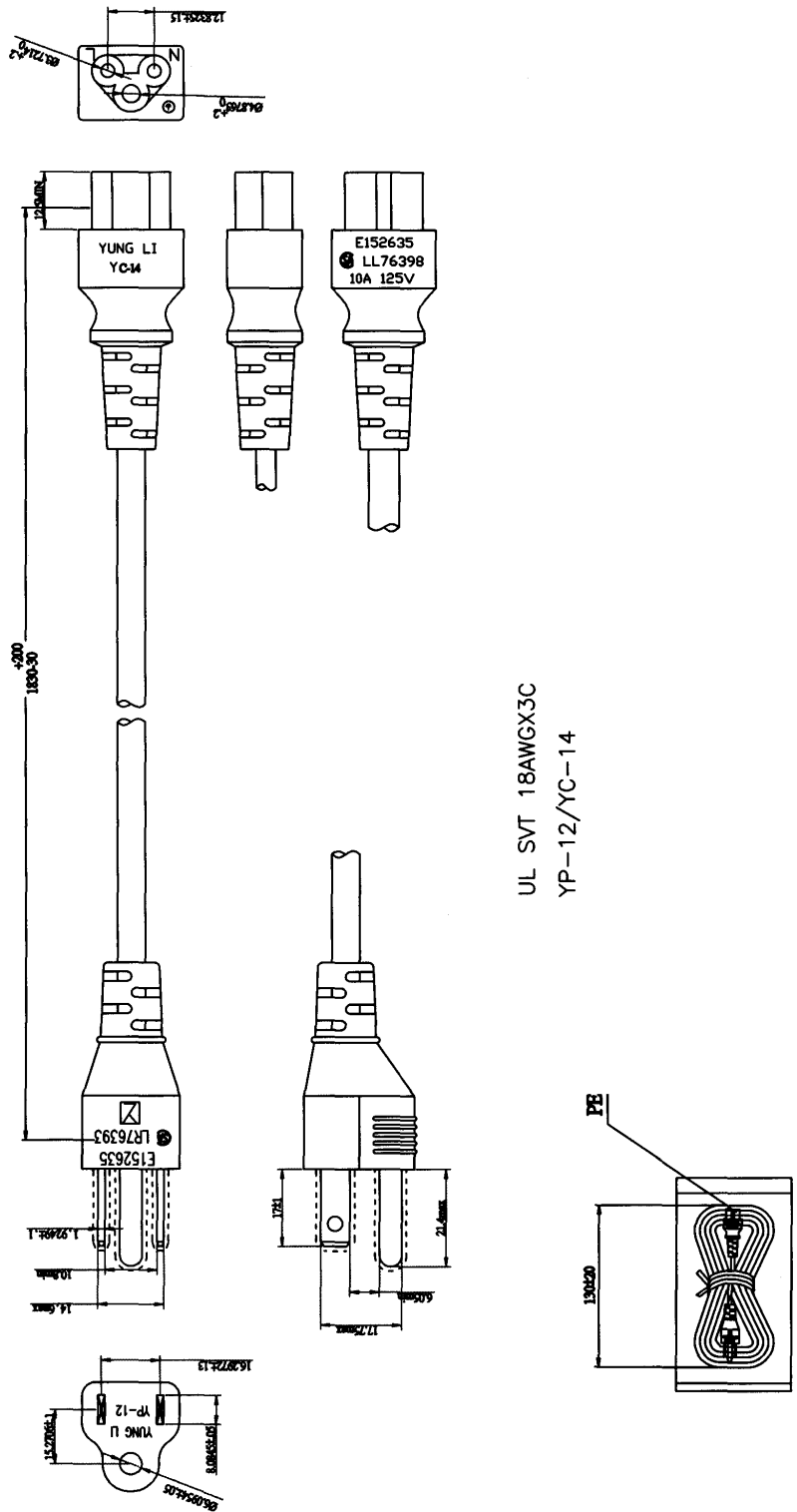
**MECHANICAL DRAWING**

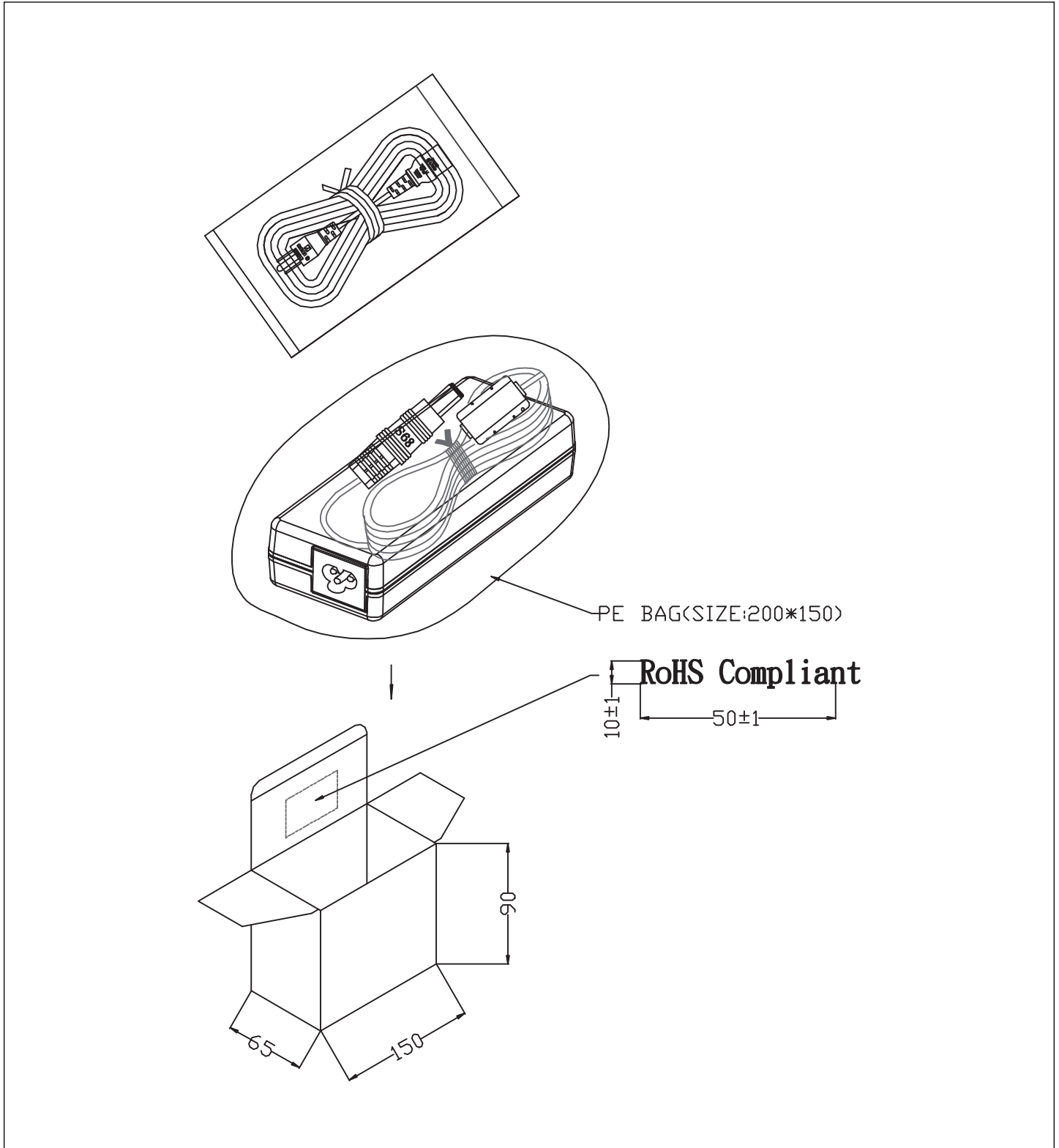


**PART NUMBER:** ETS120500UTC-P5P-SZ

**DESCRIPTION:** switching power supply

**DC CORD**


**PART NUMBER:** ETS120500UTC-P5P-SZ**DESCRIPTION:** switching power supply**AC CORD**

**PART NUMBER:** ETS120500UTC-P5P-SZ**DESCRIPTION:** switching power supply**INDIVIDUAL PACKAGING**

**PART NUMBER:** ETS120500UTC-P5P-SZ**DESCRIPTION:** switching power supply**PACKAGING**

CARTON SIZE: 480X477X167mm  
Q'TY: 30pcs(15x2x1)  
"RoHS Compliant"

